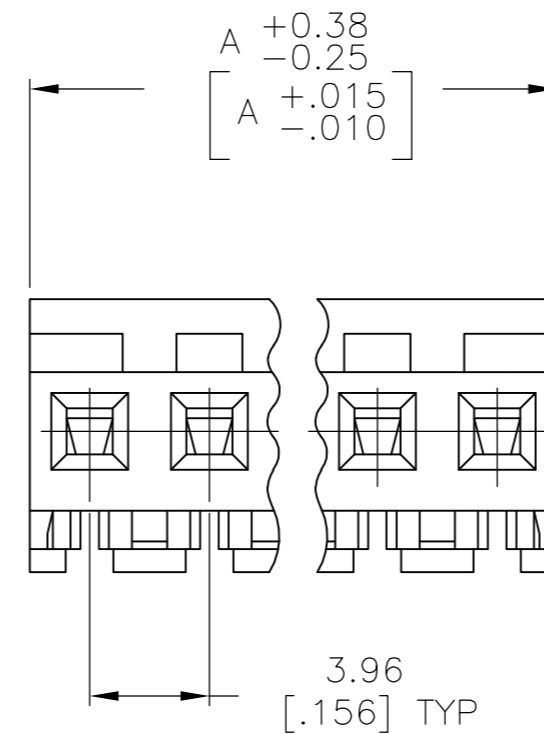
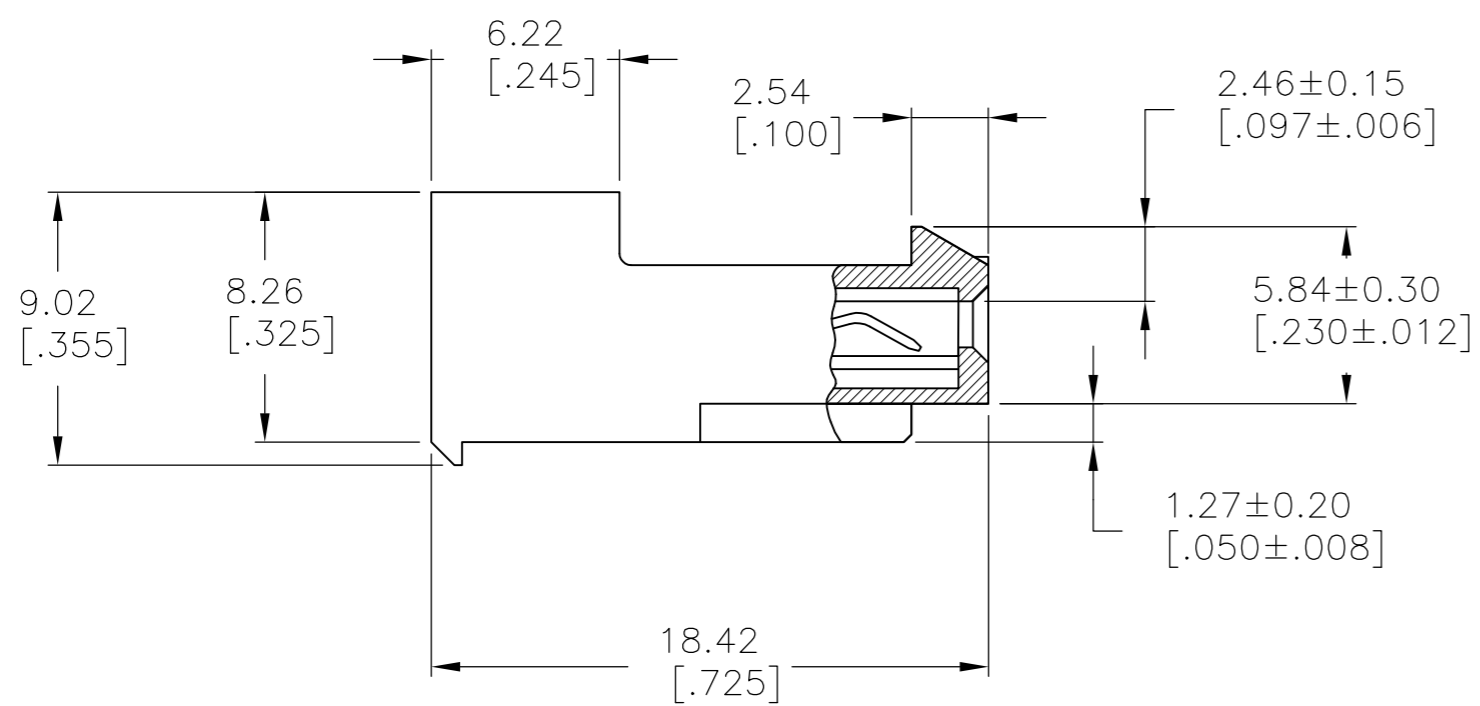
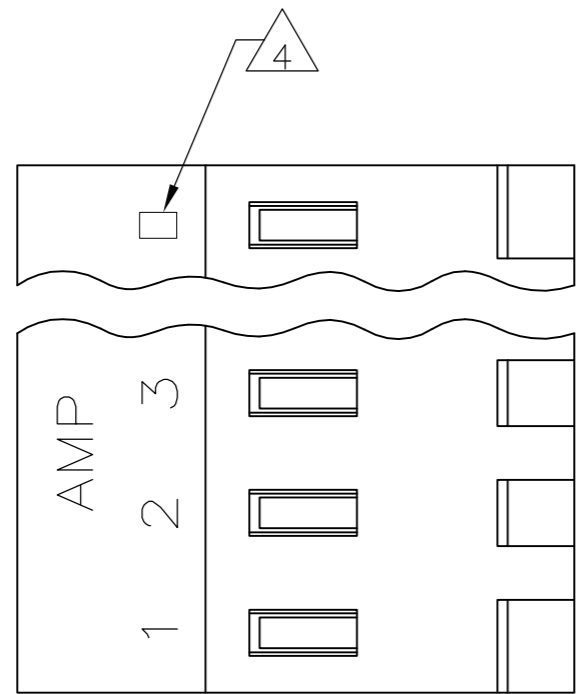
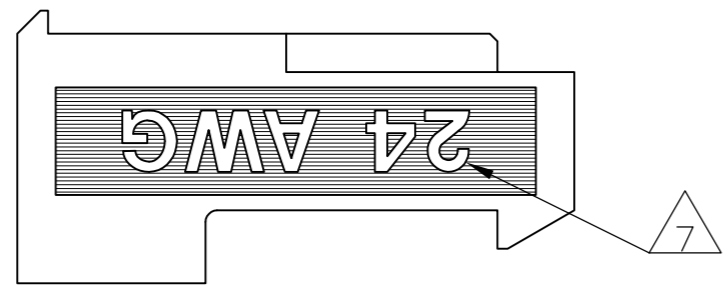


THIS DRAWING IS UNPUBLISHED. RELEASED FOR PUBLICATION
 © COPYRIGHT BY TYCO ELECTRONICS CORPORATION. ALL RIGHTS RESERVED.

LOC	DIST	REVISIONS			
P	LTR	DESCRIPTION	DATE	DWN	APVD
CM	00	C	ECO-07-012896	26JUN07	KW DB



1 MATERIAL: CONNECTOR - NYLON UL94V-0 (BLACK).
 CONTACTS - 0.30[.012] THICK COPPER ALLOY
 PLATING - 0.00076 [.000030] GOLD IN
 CONTACT AREA. 0.00203 [.000080]
 MIN THICKNESS BRIGHT TIN-LEAD IN
 SLOT AREA FOR 644773-2 THRU
 2-644773-4 OR MATTE WHISKER
 MITIGATED TIN IN SLOT AREA FOR
 3-644773-2 THRU 5-644773-4
 OVER NICKEL UNDERPLATE.

2. CONTACTS ACCEPT 24 AWG WIRE WITH 2.41[.095] MAX INSULATION DIAMETER.

3. CONTACTS MUST ACCEPT 1.14±0.03[.045±.001] SQUARE POST AND REMAIN LOCKED IN POSITION.

4 IDENTIFICATION NUMBER FOR LAST CIRCUIT MAY NOT APPEAR ON ALL ASSEMBLIES.

5. DIMENSIONS IN BRACKETS ARE IN INCHES.

6. HOUSING FEATURES ARE: CLOSED END WITH LOCKING RAMP.

7 WIRE GAUGE IDENTIFICATION.



FINISH	DIM A	NO. OF CIRCUITS	PART NO.
GOLD/TIN	7.92 [.312]	2	3-644773-2
GOLD/TIN-LEAD	7.92 [.312]	2	644773-2

THIS DRAWING IS A CONTROLLED DOCUMENT.		DWN B. LEWIS 28APR94	Tyco Electronics Corporation Harrisburg, PA 17105-3608	
DIMENSIONS: mm [INCHES]	TOLERANCES UNLESS OTHERWISE SPECIFIED:	CHK R. SWING 28APR94	NAME D. CLARK 13MAY94	
	0 PLC ± -	APVD D. CLARK 13MAY94	PRODUCT SPEC 108-1051	
	1 PLC ± -	PRODUCT SPEC 114-1020	SIZE A2	CAGE CODE 00779
MATERIAL	FINISH	APPLICATION SPEC 114-1020	DRAWING NO C-644773	RESTRICTED TO -
1	1	WEIGHT -	SCALE 4:1	SHEET 1 OF 1
CUSTOMER DRAWING			REV C	